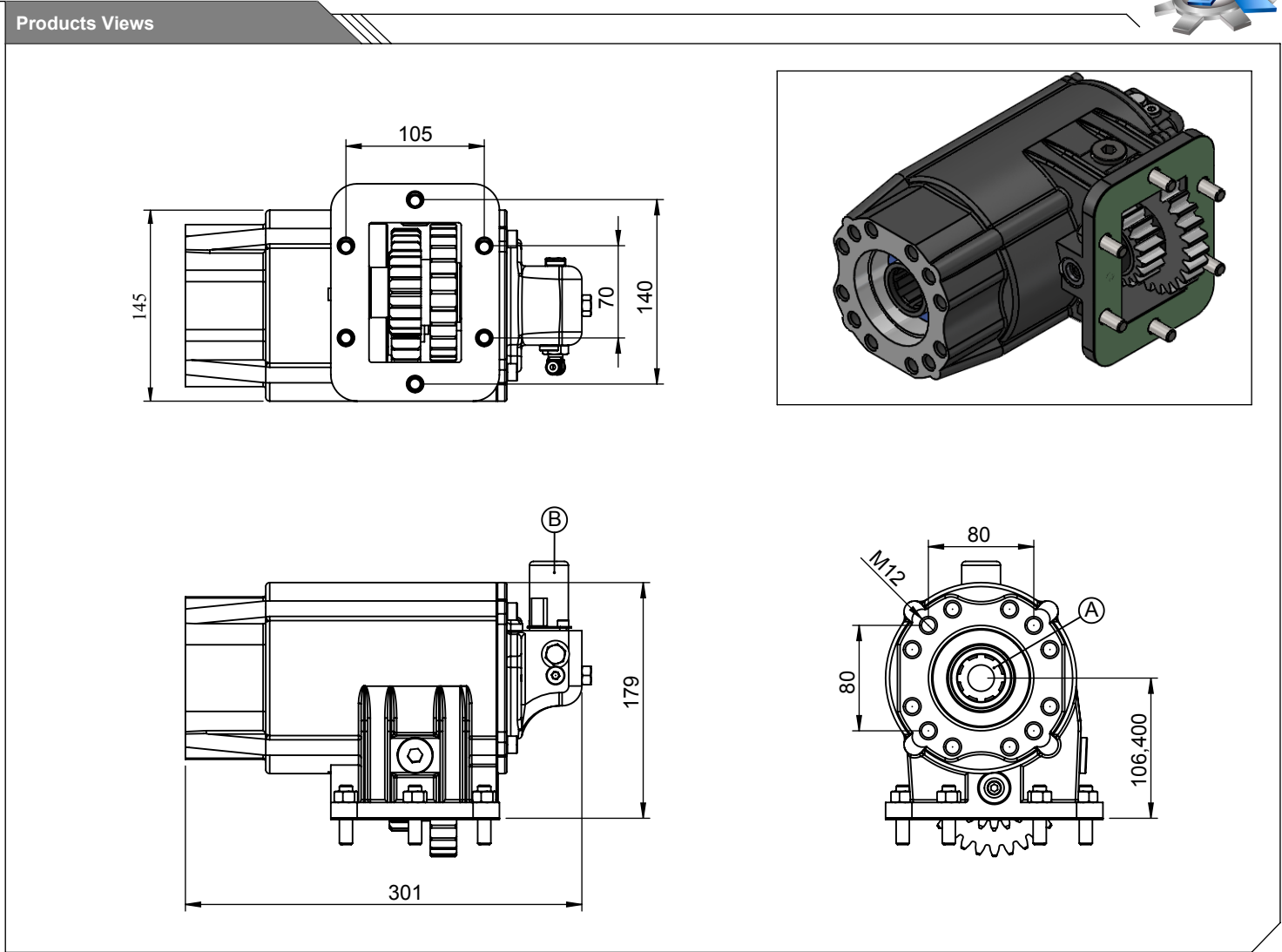


|                     |  |
|---------------------|--|
| <b>Vehicle Type</b> | ISUZU / KENWORTH / PETERBILT / MITSUBISHI / DETROIT DIESEL<br>ZETROS MERCEDES / 180E28 IVECO / 65CF-240 DAF / DENNIS Elite /<br>DENNIS Elite Kerbsider / DENNIS Sabre XL 2628LL Eonic MERCEDES BENZ / SEDDON |
| <b>Gearbox Type</b> | ALLISON 1000-2000-2100-2200-2400   |

|                     |                    |
|---------------------|--------------------|
| <b>Product Code</b> | <b>ALS.18.2000</b> |
|---------------------|--------------------|



|   |  |
|---|--|
| <b>Component Details</b>  |  |
| A : PTO Output (Standart DIN 5462 6X21X25 ISO 4 Bolt)<br>Driet Moinging Uni 3 Bolt Mtg Adapter Drive Flange |  |
| B : Oil Inlet   |  |

| <b>Technical Details</b> |                |    |              |               |                          |
|--------------------------|----------------|----|--------------|---------------|--------------------------|
| Power                    | Maximum Torque |    | Input/Output | Mounting Side | Control Type             |
|                          | kW             | Nm |              |               |                          |
| 35                       | 335            | 34 | 1/1.9        | Left-Right    | Oil Pressure             |
|                          |                |    |              | <b>Weight</b> | <b>Sense of Rotation</b> |
|                          |                |    |              | 25 kg         | Opposite of Input        |